

CZ **EVO** 
SCORPION[®]
MADE IN DENMARK



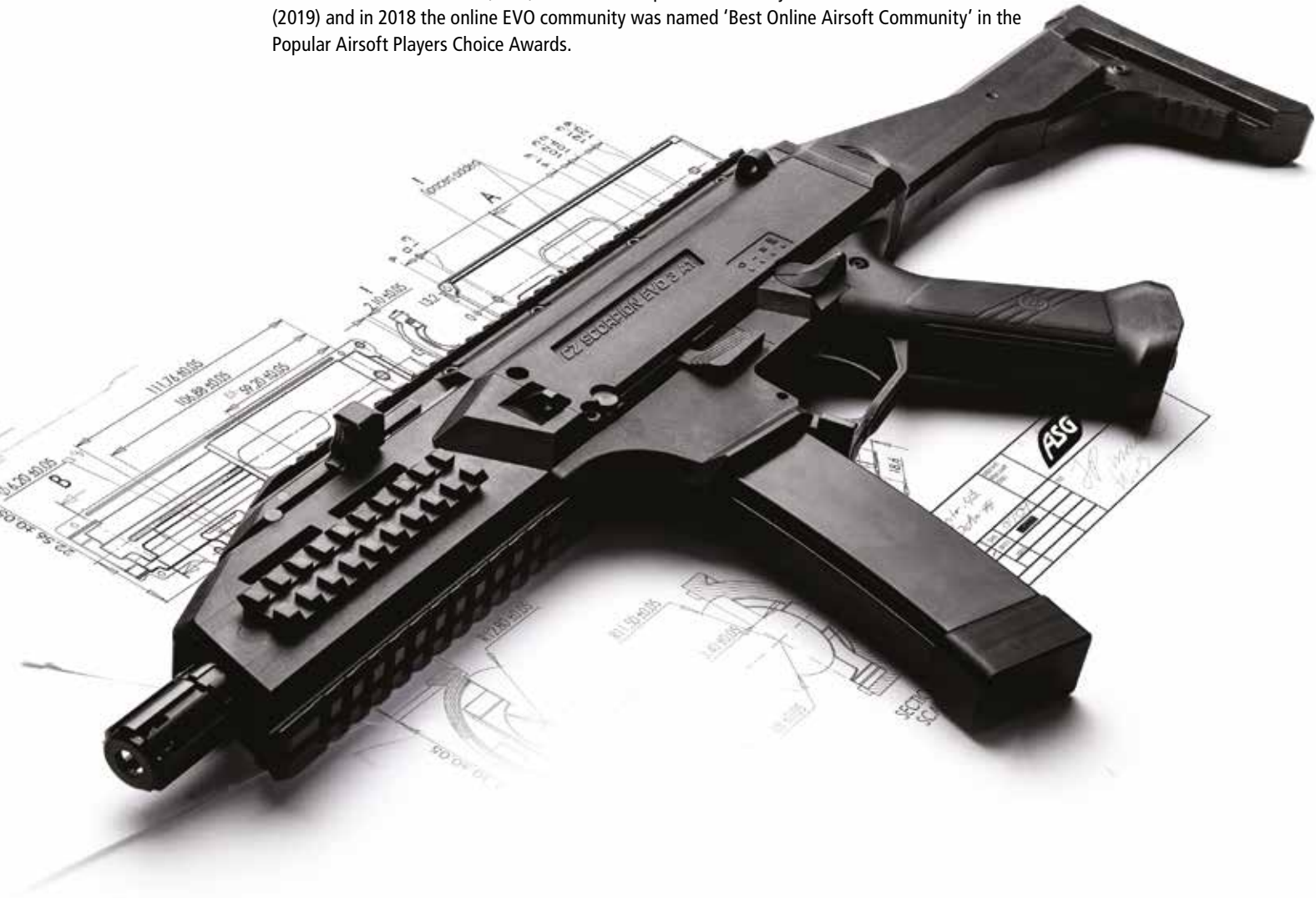


The ASG CZ Scorpion EVO 3 A1 was originally released in 2014. The years of dedicated work from every ASG employee connected to the EVO project shows in the continued support and development even today. ASG continues to improve, innovate and develop on this award winning AEG.

From 'Best AEG' to 'Best Airsoft Community' the ActionSportGames EVO has scooped up accolades across the globe.

Whether you're an airsoft skirmisher or a collector of exquisite realistic imitation firearms you will find that the ASG Scorpion EVO platform will not be found wanting. It's 'out of the box' reliability and accuracy has earned it the respect and admiration of gamers and target shooters worldwide and now, you can see exactly why everyone is talking about the EVO!

As aforementioned, ActionSportGames EVO has won several prestigious awards and shows no sign of stopping! Among the many accolades that ASG have recently collected for the EVO are the Airsoft NEJ CZ award for best AEG (2019) and the 9th Popular Airsoft Players Choice Awards 'Best AEG' (2019) and in 2018 the online EVO community was named 'Best Online Airsoft Community' in the Popular Airsoft Players Choice Awards.





The EVO Community

When you buy an ASG EVO, you're not just buying a fantastic high quality AEG... you're buying into a fantastic community as well.

The ActionSportGames fully licenced 6mm CZ EVO series has a vibrant global fanbase who share news about EVO related items, exciting photography or details about global events online on a daily basis.

Whether you're looking for advice on the perfect pouches to fit your EVO's magazines or purely want to show the world your own realistic replica, there are thousands of EVO owners around the world who want to hear from you. It would be hard to list all of the dedicated EVO online social media communities here, but we'd like to invite you start your EVO journey online by joining the Official ASG EVO Owners Club on Facebook.

You can sign up here WWW.FACEBOOK.COM/ACTIONSPORTGAMESEVO to get instant access on all the latest news, tech tips and community chat about the EVO!

Here you can catch up on all the latest news about this fantastic submachinegun. From updates from ASG about new accessories through to sightings of the EVO on the silver screen or in video games. Perhaps you feel like adding some ASG Ultimate Upgrade parts you can find expert advice online from airsoft techs who have pushed their SMG to the max or it might just be that you feel you've got the perfect EVO set up and want to show the world! Regardless of your reason for joining the EVO community you can be sure of instant feedback from our friendly online EVO community at the Official ASG EVO Owners Club.

As well as the several other Social Media groups dedicated to the airsoft version of the CZ EVO there are also exclusive events held in many countries to celebrate this awesome airsoft gun.

At each 'EVO Owners Club' event you can take part in airsoft gaming and competitions or just come along to chat to fellow enthusiasts about all aspects of the EVO.

Launched in 2017, the 'Official EVO Owners Club' events have run every year since and involve scores of players travelling to specially selected airsoft fields around Europe for an entire day dedicated to the EVO platform and its fans. As well as being able to take part in the gaming or purchase extra add-ons for your EVO you can also meet members of Team ASG, each one of them is guaranteed to be an EVO user as well and happy to chat to you!

You'll find that EVO Owners are a special breed, they won't settle for second best and insist on the finest AEG they can buy – that's why they are EVO owners!

CZ EVO SCORPION®

The launch of the EVO 3A1 airsoft gun marks a milestone in ASG history. For the first time we have developed and manufactured a complete airsoft AEG, from overseeing the first design drafts to producing and marketing the final airsoft AEG. The entire project has given us the opportunity to bring more than 20 years of experience in the airsoft business to full use and show how it can be done.

In May of 2009 during a visit with our business partners, the world-renowned arms manufacturer CZ in the Czech Republic, CEO of ActionSportGames, Johnny Petersen, was shown the real steel version of the CZ Scorpion EVO 3 – at the time a project in development. Immediately, he saw the potential of the EVO 3 as a Proline airsoft AEG with its futuristic design and lightweight construction.

Agreements between ASG and CZ were reached in 2010, and shortly after CZ presented the EVO 3 to the world at the IWA trade fair in Nuremberg, the 3D drawings were handed over to ASG, and the project of turning the EVO 3 into a Proline airsoft AEG began to take shape.

Realising the potential as an airsoft AEG, and not wanting to make compromises on quality and key points such as burst function and external measurements, we decided to

go ahead and manufacture the airsoft gun in Denmark. The alternative would be to rely on Far East manufacturers and take the risk of ending up with 'just another AEG'. With our many years of experience in the airsoft industry and our comprehensive knowledge of precision production processes, design, sourcing and quality control, it was never an issue whether or not we should undertake this project.

During 2011 ASG contracted an external development company to partner up with to enhance the electronic control system and arranged with CZ to supply various parts for the final product, and in November 2011 the first prototype saw the light of day. From there began the process of sourcing the various components, culminating in March 2012 with the presentation of the second prototype at the IWA Show in Nuremberg, Germany, essentially wrapping up the design and development phase of the project.

After going through a process of finding production facilities in Denmark, 2012 and 2013 saw the project team at ASG break through the challenges of designing moulds and adjusting the individual components to make it all fitted together perfectly.

In the first quarter of 2014, the CZ Scorpion EVO 3 A1 is ready to show off its many unique and innovative features, and production of the airsoft gun has started.

2014 2015 2016 2017



ASG CZ SCORPION EVO 3 A1

ASG has from 2010 through to 2014 been involved with CZ and other partners to establish the parameters to have the first AEG manufactured in Europe. Working with the original 3D drawings from CZ combined with ASG's many years of experience with airsoft replicas and manufacturing resulted in the ground-breaking CZ EVO 3 A1 being officially released in 2014.

ECU IMPROVEMENTS

The Electronic Control Unit is the 'brains' of the EVO. With so many features like empty mag detection, failure-detection, battery monitoring, an ECU controlled gearbox and optimal power transfer the EVO needs a dedicated unit to handle all these elements. In 2016 we updated the ECU unit with new software and hardware components to handle these demanding tasks even more efficiently.

RANGE EXTENDED

With the release of the Carbine versions of the EVO by CZ USA - the demand for a similar replica release was huge. ASG's desire for continuing innovation and our excellent relationship with CZ allowed us to quickly adapt and introduce the Carbine versions to the airsoft market and both versions were released simultaneously in 2017. These new models featured a longer profile handguard, slick streamlined design and verified MLOK standard attachment points and were well received. The new additions to the Evo family were now available as the long barrel Carbine version and integrated B.E.T (Barrel Extension Tube) version.

As is the case with all innovation processes, we've experienced setbacks, frustration and disappointments, but the hard work, dedication and belief in the potential of the gun as an airsoft model has given us the unique opportunity to present the CZ EVO 3 A1 to airsoft communities around the globe. From the very start of this project, everyone at ActionSportGames who's been involved in the project has been totally dedicated to see the realisation of the project, and we're confident that, despite the challenges, it's been worth the wait.

PLAYERS CHOICE

Voted by the airsoft community as the best AEG 'out of the box', the ASG CZ Scorpion EVO 3 A1 was given the 'Players Choice Award' held by Popular Airsoft in 2019 at IWA, Germany. This award is a true acknowledgment not only to the players, but also the industry, that the EVO truly is a champion in its own right.

2018

2019

2020



HIGH PRESSURE AIR

With the growing interest in HPA technology for airsoft, ASG partnered with Wolverine Airsoft and introduced their custom HPA Engine, Inferno gen 2, for the EVO. Released in 2017 the HPA version maintained all the features of the AEG version but additionally featured a programmable board for the HPA system allowing you to fine tune your settings like ROF (15rd-30rd per sec), programmable Burst (2rd-7rd) and programmable valve dwell time.

REFINED ENGINEERING

In 2018 ASG revised the internals of the EVO with a focus on improving key components that would extend the EVOs 'battle time' and reduce any servicing required. The gearbox was revised with a new design and composed of a new zinc alloy. With the new design threshold weak spots were strengthened for durability. The piston, cylinder and cylinder head were also revised to feature a new original design and improve performance.

ADVANCED ERGONOMICS

ASG strives to innovate and develop new 1/1 replica systems -including the body and externals of an existing gun. In cooperation with a known firearms designer, and our design team at ASG, we have created a new take on the EVO platform. With a completely new modern look and a fresh take on efficient weapons manipulation and ergonomics the EVO ATEK (Advanced Tactical Ergonomics Kit) will increase user performance and handling. The new parts feature a revised handguard, angular front grip and magwell. The ATEK is available as a complete kit, as individual parts and as a complete EVO AEG.

Ingenuity out of the Box

SUPERIOR BUILD QUALITY

The EVO 3 A1 airsoft gun is built to be as tough as the real thing. The fibre-reinforced polymer used in the construction is the same as that used in the original SMG, making it one of the toughest airsoft guns around. Using high quality components results in a durable, high performing AEG that is easy to take apart for service, maintenance and upgrade.

REALISTIC HANDLING

The EVO 3 A1 has been envisioned, designed and built to bring airsoft players as close to the experience of handling the original (polymer) EVO 3 A1 as possible. All weight, size and handling characteristics have been constructed to match the real gun – and like a real gun, the airsoft version will stop firing when its magazine runs empty and requires activation of the bolt catch after a fresh magazine has been inserted.

The EVO also comes standard with 6.03 mm inner barrel giving it precision and range uncontested by any other AEG out of the box.

NEW DESIGNED GEARBOX

The EVO 3 A1 gearbox is designed from scratch by ASG, rather than modifying an existing gearbox version to deliver functions they were not intended for in the first place. The internals have been purpose built to deliver advanced functions by using custom electronics, while having the strength necessary to handle powerful springs or high-speed solutions. In addition to all this the easy power change design with one-tool quick spring access, allowing fast in-the-field spring changes to best match mission requirements. The gearbox still features 8mm bushing and MIM steel gears for durability.

The EVO comes standard with a quick-change spring that allows the user to quickly switch out the power output. This flexibility makes the EVO the best AEG for all airsoft site requirements you might encounter.

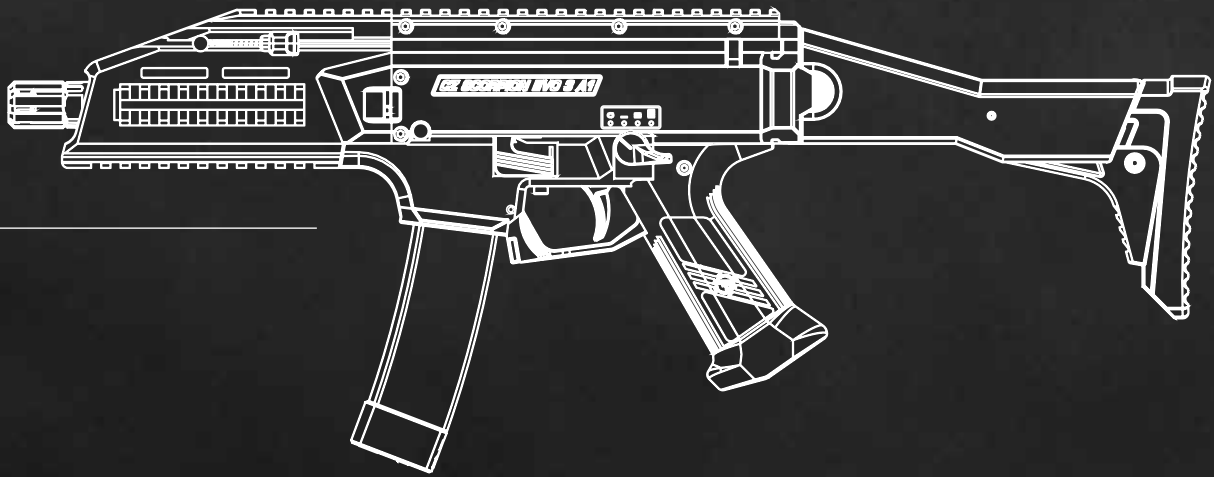
ECU CONTROLLED GEARBOX

Not content with the limitations of a traditional electrical gearbox, the gearbox has been designed with an innovative Electronic Control Unit (ECU). The benefits of using an electronically controlled airsoft gun include a reduction in the number of mechanical and electrical parts required. All of this resulting in increased battery and motor efficiency, while offering an instantaneous crisp trigger response that experienced airsoft players appreciate.

USER FRIENDLY

The EVO 3 A1 features an ergonomic design with fully ambidextrous controls that are easy to access and operate even while wearing gloves. Its compact size, lightweight and ambidextrous design allows comfortable handling by any player and makes it perfect for high speed games and CQB. Being a highly realistic licensed replica in both form and function this airsoft gun will also appeal to both 'milsim' players and gun enthusiasts alike.





EVO 3 A1

Ref. No.	Description	Hop-up	Velocity ms/fps	Energy (joule)	Weight (g)	Length (mm)	Length folded (mm)	Barrel (mm)	Mag. capacity
17831	Std version	Adjustable	120 / 394	1,45	2300	625	425	208	75
17832	M95 version	Adjustable	95 / 312	0,90	2300	625	425	208	75
18001	Semi version	Adjustable	120 / 394	1,45	2300	625	425	208	75
17829	IT version	Adjustable	95 / 312	0,90	2300	625	425	208	75
17828	Blue version	Adjustable	95 / 312	0,90	2300	625	425	208	75
50091	US version	Adjustable	120 / 394	1,45	2300	625	425	208	75





Continuous Engineering

GEARBOX 2018 REVISION

In 2018 we re-envisioned our EVO gearbox design with the goal of upgrading key points to help with the gearboxes thresholds under stress and updated it with a new zinc alloy construction.

The different material has resulted in a slightly denser gearbox making the overall weight of the EVO slightly heavier and even more realistic compared to the real weapon. The heavier gearbox shell also results in a smoother overall operation with a reassuring and satisfyingly deep muzzle report.

The shape of the gearbox has been simplified and refined. The new casting features rounded apertures to minimize the risk of cracking and smoother wiring guides. In addition, the new gearbox has more points of contact with the polymer of the gun, making the Evo more rigid and robust than ever before.

ADVANCEMENTS IN ELECTRONICS

Our EVO internal Electronic Circuit Unit was an achievement in 'out of the box' electronics. Despite still being one of the most durable and capable ECU's on the market we have developed and worked on enhancements to extend the longevity and performance of the EVO ECU.

We have improved and simplified the cable routing, a small change that gun tech and upgrade enthusiasts will no doubt relish. Wear and tear on wiring and errors during assembly are minimized thanks to this revision.

CYLINDER SET

We have designed and produced a new and original cylinder set in order to further improve performance. The Cylinder set includes Cylinder, Cylinder Head and Piston Assembly.

Advancements in electronics

Our EVO internal Electronic Circuit Unit was an achievement in 'out of the box' electronics. Despite still being one of the most durable and capable ECU's on the market we have developed and worked on enhancements to extend the longevity and performance of the EVO ECU.



CYLINDER

The new cylinder is a high precision steel cylinder with a black finish and ASG logo-shaped porting. It's been designed to make an efficient seal with the accompanying cylinder head and piston, as close to perfect as can be achieved, resulting in incredibly stable muzzle velocity and amazing efficiency when teamed with the already proven great EVO air seal components.

CYLINDER HEAD

A new design of cylinder head has been produced with a revolutionary new seal system to replace the traditional O-ring arrangement. The new system uses a flanged rubber cup seal that interfaces with the cylinder

head and provides not only a more efficient seal under higher pressure but also impact absorption (similar to "sorbo" pads commonly fitted in custom work). Combined with the gearbox shell, this makes the EVO sounds more formidable and exciting than ever and also eliminates the risk of failure, no matter how hard the EVO is pushed.

PISTON

A high strength nylon reinforced piston has been designed and manufactured bearing the ASG logo. The piston features six metal teeth and comes with the second pick-up tooth already removed for flawlessly smooth engagement. The guide rails are slotted and the pistons geometry has been specifically designed to work precisely inside the 2018 Revision gearbox casing.

Extended Range

With the launch of the EVO 3 A1 in 2014 it was clear that the airsoft and collector community loved our 1:1 scale replica of CZ's modern day classic. Many of our customers, however, wanted even more!

The CZ EVO is not only a renowned and respected submachine gun in military circles, it is also a highly popular platform in the civilian shooting market with many sporting shooters in the USA and Europe favouring the 'carbine' version of the EVO launched by CZ in 2016.

With a demand already there it only made sense that ActionSportGames should produce this model in association with CZ as well and in 2017 we launched both the Carbine and the B.E.T. (Barrel Extension Tube) variations of the EVO at the legendary Las Vegas Shot Show to complete the 'CZ family'.

Our close ties with CZ enabled ASG to, as we did with the SMG, obtain the original plans for the EVO Carbine and BET to ensure that our fully licenced replica is as close to the 'real steel' as is possible. Our engineers were in constant dialogue with the team at CZ and we are proud to say that CZ were so happy with the results that they now use ASG replicas alongside their firearms at some of their promotional events!

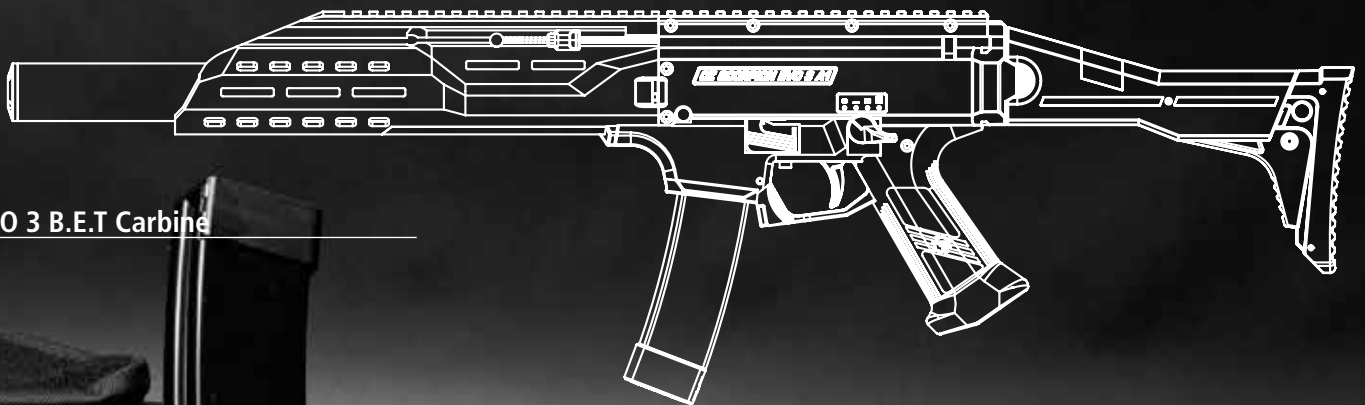
As both the Carbine and B.E.T. have longer internal barrel they lend themselves perfectly to more specialist roles and looks on the airsoft field, from longer ranged 'marksman' builds to suppressed 'special forces' impressions. While externally the Carbine and B.E.T. model have some key differences like M-LOK attachment points, suppressor style barrel shrouds or simply a longer picatinny rail you can rest assured that inside your AEG your gun is powered by the same high quality 'EVO Engineering' build put into every model.





EVO 3 S1 Carbine

Ref. No.	Description	Hop-up	Velocity ms/fps	Energy (joule)	Weight (g)	Length (mm)	Length folded (mm)	Barrel (mm)	Mag. capacity
18673	Std version	Adjustable	136 / 446	1,85	2675	855	655	407	75
18719	M95 version	Adjustable	95 / 312	0,90	2675	855	655	407	75
18721	Semi version	Adjustable	136 / 446	1,85	2675	855	655	407	75
18717	IT version	Adjustable	95 / 312	0,90	2675	855	655	407	75
50144	US version	Adjustable	136 / 446	1,85	2675	855	655	407	75



EVO 3 B.E.T Carbine

Ref. No.	Description	Hop-up	Velocity ms/fps	Energy (joule)	Weight (g)	Length (mm)	Length folded (mm)	Barrel (mm)	Mag. capacity
18694	Std version	Adjustable	136 / 446	1,85	2675	815	615	407	75
18720	M95 version	Adjustable	95 / 312	0,90	2675	815	615	407	75
18722	Semi version	Adjustable	136 / 446	1,85	2675	815	615	407	75
18718	IT version	Adjustable	95 / 312	0,90	2675	815	615	407	75
50145	US version	Adjustable	136 / 446	1,85	2675	815	615	407	75

HPA Technology

High Pressure Air is growing in the airsoft industry. ASG offers the same fully licensed EVO 3A1 with all its unique features while incorporated the battles tested Wolverine Inferno Gen 2 HPA engine.

The EVO HPA version is a milestone for not only for being the first HPA manufactured by ASG, but also being the first licensed HPA airsoft gun to be released.

The HPA CZ Scorpion EVO 3A1 features all the same functions as the AEG version. While maintaining 'empty mag detection', Single/3 Round Burst/ Full Auto fire modes, superior range and high-grade polymer construction - the HPA version also offers new features like 'Programmable ROF' (15rd-30rd per sec), 'Programmable Burst' (2rd-7rd) and 'Programmable Valve Dwell Time'.

The HPA version still offers the very best in realistic handling and weapons manipulation. Like a real gun, the EVO 3 A1 will stop firing when its magazine runs empty and require activation of the bolt catch after a reloaded magazine has been inserted.

The HPA CZ Scorpion EVO 3A1 is powered by Wolverine Inferno Gen 2, specifically built for the EVO. Run the EVO HPA with our Ultrair HPA tanks and regulator for the best reliable setup.

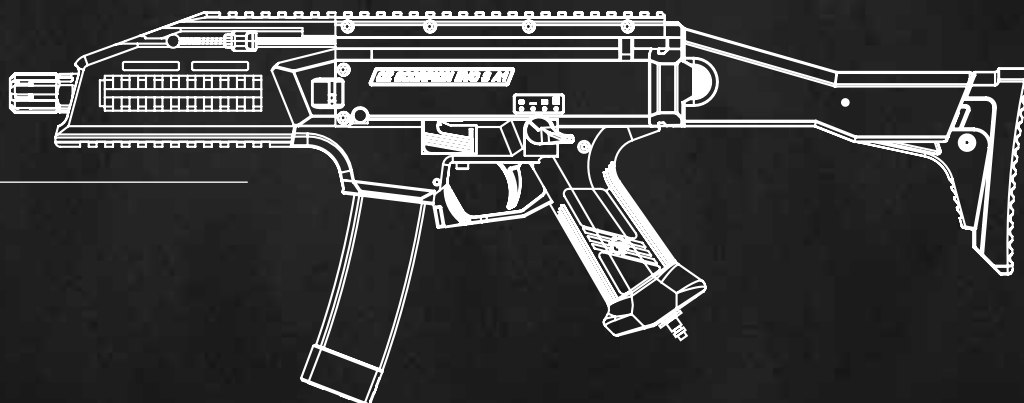
The HPA version comes standard with 70° ULTIMATE bucking to give you the best range and consistency when putting rounds down range.

FEATURES

- Easy programmable control unit – the EVO HPA is controlled by an ECU that is easily programmed via the trigger (no tools needed). It allows adjustments of rate of fire, burst amounts, fire mode and dwell time.
- Fixed remote line connector with integrated air filter (a unique feature of the EVO HPA). Not only is connecting your airline a breeze, but you do not have to worry about unnecessary breakdowns caused by dirt and grit getting into the Inferno unit.
- Single solenoid (electronic valve) system, improves air efficiency compared to dual solenoid systems used by competing brands.
- Open bolt function eliminates first-round dry fire. With the EVO HPA's open bolt the nozzle is always back, and ready for action.
- Instant trigger response; as with all HPA guns, there is an immediate trigger response, providing the shooter with a most satisfying experience when shooting the EVO HPA.



EVO 3 A1 HPA



Ref. No.	Description	Hop-up	Velocity ms/fps	Energy (joule)	Weight (g)	Length (mm)	Length folded (mm)	Barrel (mm)	Mag. capacity
18671	Std version	Adjustable	120 / 394	1,20	1900	625	425	208	75
18904	Semi version	Adjustable	120 / 394	1,20	1900	625	425	208	75
50143	US version	Adjustable	120 / 394	1,20	1900	625	425	208	75



EVO 3 A1 HPA specs:

Input Pressure Range:	80-140psi
Input Voltage:	6-8V
Dwell time:	Programmable for optimizing airflow to physical weapon setup
ROF: Programmable:	Approx. 15-30 RPS
Burst: Programmable:	Single only, 2, 3, 5, 7 rounds (Trigger tap max 3 shots)
Output Energy A1:	0.9 – 1.7 Joule
Output Velocity A1:	95 to 130 m/s (312 to 426 f/s).
Filtered Input:	150 Micron
Air Connector:	US type

EVO ATEK

ADVANCED

TACTICAL

ERGONOMICS

KIT



Textured Surface For Better Grip

Forward Barrier Support

M-LOK Slots

Forward Barrier Support

ENHANCED CONTROL AND HANDLING

The new front end is slimmer and lighter than the original. Coupled with the new angular front grip and the thumb rest as well as the textured surface on the front end, the EVO ATEK is a faster, smoother CQB platform.

PROVEN PERFORMANCE

The features of the EVO ATEK aren't just for show. A core concept of the ATEK was to introduce key points to enhance the players handling, weapons manipulation and ergonomics based on real world experience.

The handguard and angled front grip have been designed to feature a forward barrier support for consistent fire control and reference points during fast deployment of the EVO. The front grip can be mounted on any 1913 picatinny rail. The handguard also features M-LOK slots on the side replacing the 20mm rails for a more modular setup

We'd like to introduce the 'Advanced Ergonomics Tactical Kit' for the EVO Scorpion also known as the EVO ATEK. After the initial release of the EVO 3 A1 - we released the Carbine versions to accommodate the real steel version released by CZ USA and the growing demand by players and retailers to have even more EVO configurations.

With the ATEK we wanted to continue that tradition and bond that ASG has with the real firearms industry.

CONCEPT

The ATEK Kit was designed to modernize the weapons features improving ergonomics while respecting its original design. With minimal contours streamlining weapon manipulation with key features, the ATEK creates better ergonomics that translate into a superior shooting experience and improved handling.

The ATEK design and concept comes from our desire not only to rethink the design of the EVO but also develop something that has ties to 'Real World' application. Even though it's only released as an airsoft add-on, we still wanted the ATEK to have that authentic feel and function -just like the original EVO.

ASG developed the EVO ATEK alongside with a known firearms designer to tie both realism, function and design together with the Kit. For almost two decades ASG has had a great relationship with the real firearms industry and wanted the EVO ATEK to have that real-world application like the rest of our fully licensed product line.

RIGOROUS PRODUCTION

It has been a long road of design and development with the EVO ATEK. Each part has been designed and manufactured to meet almost near 'Real World' specifications. The manufacturing involved designing the moulds, choosing the best in material composition and finally the mass production process is always a challenge. ASG has invested a lot of resources into the ATEK components to ensure they live up to the EVO reputation. With the same reinforced glass fibre composition as in the EVO, the ATEK will hold up to the most demanding scenarios.

EXCEPTIONAL QUALITY

Like the EVO these parts are made from GA630 Nylon with 30% fiberglass. This ensures the look is consistent with the original EVO and that the parts are strong and durable like the rest of the award winning replica. The same attention to quality control in Denmark is also maintained during assembly and packaging.



The ATEK magwell doesn't only significantly improve your reload speed, it also provides a larger surface to the front for better control. With the serrations in the front and the textured nubs at key points, the handling and manipulation of the EVO is greatly increased. Available for midcap magazines and hicap magazines.

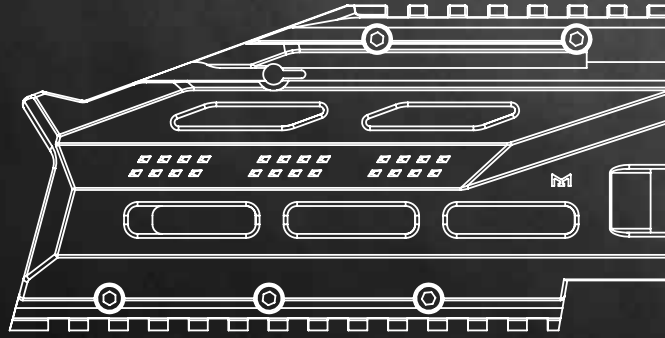
FLEXIBILITY

The user can mix and match the parts freely as desired, providing a host of options for a unique look. The user now also has the option of gripping the gun either by the front or by the magwell.

ATEK - Front

The drop-nose styling of the EVO SMG is retained and built upon with the ATEK. A positive "thumb-over-bore" grip is facilitated by a natural index point and an over-extension guard is provided by the flared muzzle end. This give shooters a repeatable, comfortable and safe grip position that promotes consistent shooting.

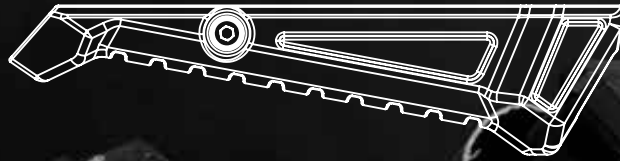
Ref. 19330



ATEK - Angled Front Grip

An angular front grip is included to further complement the shape of the front end. These components work in perfect unison both visually and also in terms of an effective support-hand grip area. Fundamentally the angular grip allows the user to grasp the gun dominantly with the wrist held in a natural position.

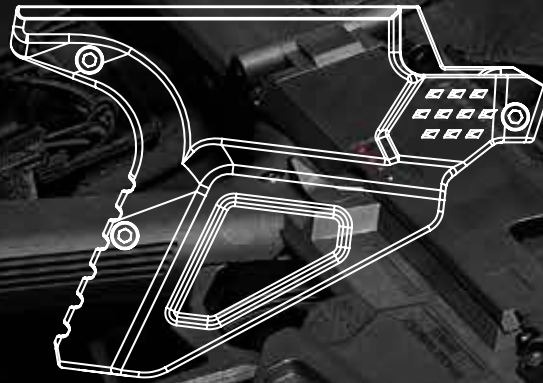
Ref. 19331



ATEK - Magwell Hicap

The Magazine Well/Grip clamps to the standard EVO receiver and serves as a reference point for the support hand. The magwell also makes inserting a fresh magazine into the EVO easier under pressure. This magwell is specifically for the Hicap EVO magazines.

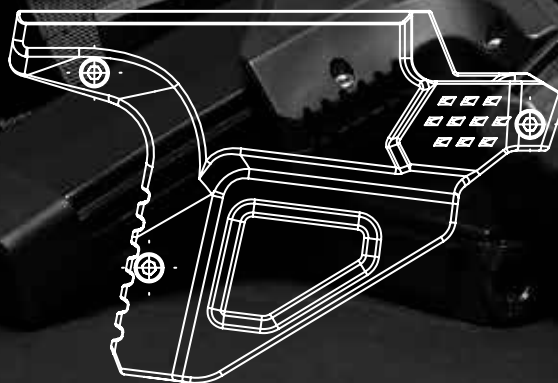
Ref. 19332



ATEK - Magwell Midcap

The Magazine Well/Grip clamps to the standard EVO receiver and serves as a reference point for the support hand. The magwell also makes inserting a fresh magazine into the EVO easier under pressure. This magwell is specifically for the Midcap EVO magazines.

Ref. 19333



EVO ATEK

ADVANCED

TACTICAL

ERGONOMICS

KIT



ATEK - Complete Kit for Midcap

The complete kit for the EVO with Midcap use - all three components in one package.

Ref. 19335



ATEK - Complete Kit for Hicap

The complete kit for the EVO with Hicap use - all three components in one package.

Ref. 19334

V-shaped Front

Provides comfortable grip positioning for consistent and fast fire control.

Sloped Foregrip

Ergonomic design allows versatile positioning for optimal comfort.

Magwell Grip

Provides secure hold in CQB scenarios and prevents unnecessary pressure on the magazine.

Flared Magwell

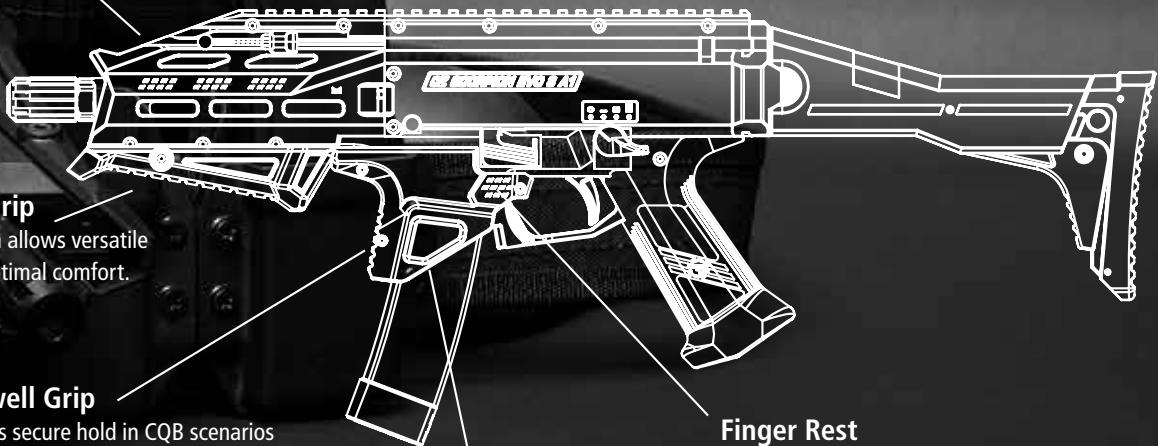
Enhances reloading while allowing the user to maintain eye contact with the target.

Overall Look

The front section is a combination of ergonomic and aggressive design that blends with the overall look and feel of the rifle.

Finger Rest

Provides a textured area for natural, out of the trigger guard, finger positioning.



Complete EVO ATEK AEG

Ref. No.	Description	Hop-up	Velocity ms/fps	Energy (joule)	Weight (g)	Length (mm)	Length folded (mm)	Barrel (mm)	Mag. capacity
19325	Std version	Adjustable	120 / 394	1,45	2350	625	425	208	75
19327	M95 version	Adjustable	95 / 312	0,90	2350	625	425	208	75
19326	Semi version	Adjustable	120 / 394	1,45	2350	625	425	208	75
19328	IT version	Adjustable	95 / 312	0,90	2350	625	425	208	75
50242	US version	Adjustable	120 / 394	1,45	2350	625	425	208	75

Accessories



Magazine 3-pack

EVO 3 A1. 75 rd. capacity. Made from highly durable polycarbonate and with the exact dimensions and material choice as the original CZ magazines – an ideal fit for original CZ magazine clips.

Ref. 17844



Magazine 3-Pack, Smokey

EVO 3 A1. 75 rd. capacity. Semi-transparent shells that allow the players to create customised inserts to represent their own creative design to give their EVO a whole new expression. Templates can be found at www.actionsportgames.com

Ref. 18399



Magazine High-Capacity

Acting on feedback from airsoft communities we've added a high-cap magazine to the line of accessories for the CZ Scorpion EVO 3 A1. To compete with the capacity of other airsoft gun systems, the magazine capacity has been bulked up to hold 375 rds.

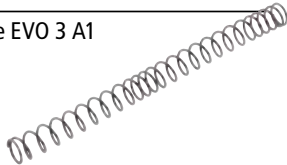
The High-Cap magazine features an oversized wheel for quick winding and is capable of feeding 90% of its capacity in a single wind.

Ref. 18394

M120 Spring

M120 spring for the EVO 3 A1

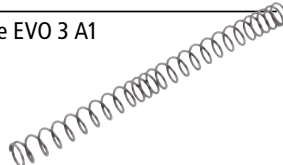
Ref. 18179



M95 Spring

M95 spring for the EVO 3 A1

Ref. 18180



Magazine Coupler Set – 2 pcs.

This is an original accessory supplied to ASG from CZ. These clips are used to hold two magazines together, for a fast reload – an essential accessory in high-speed skirmishes.

Ref. 17850



Multi Adaptive Sling

This adaptive sling is designed especially for the EVO 3 A1. It allows for a multitude of carry styles. It is made to transition quickly from one style of carry to another depending on the mission and battlefield conditions. Its size should accommodate even larger players wearing bulky tactical vests. The quick pull tab is constructed to eliminate snagging when moving through bush and woodland environments.

Ref. 18161



Steel Spring Guide w/ Bearing

This upgraded spring guide has a core of high-tension steel, making it capable of handling a spring of any power that one could wish to install in the EVO. It is also the easiest upgrade ever, since the spring guide of the EVO can be removed without disassembly.

Ref. 18163



Front / Rear Sight

These lightweight polymer fixed sights complete the professional look of the EVO. Built to be strong and durable, yet affordable and functional, these sights are fully adjustable for windage and elevation and feature a light gathering front sight insert, which uses ambient light to produce a glowing dot that is easy to see and aids rapid target acquisition.

Ref. 18092



14mm CCW Adapter

For mounting standard 14mm CCW accessories, such as barrel extension tubes, flash hiders and other similar accessories. This adaptor replaces the 18mm flash hider and allows any airsoft barrel attachment to be screwed onto the 14mm CCW threading.

Ref. 17950



Sling Mount

Replacement part should the original be lost or for having a mount on both sides of the airsoft gun. This small metal part sits wedged between the front end and the receiver to provide a forward attachment point for a 2-point sling. Can be attached on either the left or right side of the EVO 3 A1.

Ref. 17976



CZ Front Support Set

This is an original accessory supplied to ASG from CZ. The front support set attaches to the lower rail and is designed to prevent the operator's hand from sliding in front of the muzzle.

Ref. 17846



Flash Hider CNC

This is the standard flash hider for the CZ Scorpion EVO 3 A1. CNC machined in aluminium with a durable black outer finish. Used as an accessory part.

Ref. 18091



CZ Flash Hider

This is an original accessory supplied to ASG from CZ. This original flash hider is made from steel, intended for the hardcore milsim player or collector.

Ref. 17863



A wide range of accessories are available for the ASG EVO. With the capability to customise the weapon system to fit your play style, the EVO can be tailored to any mission or type of skirmish.

Change the spring to a match the power output allowed on the field or add a High Capacity magazine into your arsenal. You can even add your own decal to the Smoke magazine to feature your team logo.



Cnc Short-Stroke Trigger Aluminium

This metal short-stroke trigger is CNC machined from a single block of high strength aluminium. This trigger will create an extremely fast and crisp trigger pull. The EVO 3 A1 is born with an electronically controlled gear box, with an electronic switch allowing this short-stroke trigger to be a drop-in installation, without any modifications. The easiest customized trigger job ever.

Ref. 18162



Cnc Short-Stroke Trigger Black Anodised

This metal short-stroke trigger is CNC machined from a single block of high strength aluminium. This trigger will create an extremely fast and crisp trigger pull. The EVO 3 A1 is born with an electronically controlled gear box, with an electronic switch allowing this short-stroke trigger to be a drop-in installation, without any modifications. The easiest customized trigger job ever.

Ref. 19155



Stock and tube not incl.

CNC EVO M4 Stock Adaptor

This stock adaptor allows the mounting of an M4 push-on tube and will accommodate most M4/M16 stocks currently produced. It provides a unique way of customising the EVO 3 A1, while still retaining the ability to fold to the side for transportation or operations in confined spaces. The mounting bracket is made from CNC machined aluminium for unsurpassed strength and durability. It comes assembled and ready for installation, simply attach a push-on stock tube and tighten its mounting screw inside the tube.

Ref. 18175



Battery, 11,1V, 1500 mAh., LI-PO

A compact 11.1V Li-Po battery with its three cells in a one block construction, allows this battery to fit inside. Despite its small size it still packs 1500mAh.

Ref. 18156



Battery, 7,4V, 1300 mAh., LI-PO, single stick

A small size battery pack that still packs 1300mAh. Fits into most types of stock tubes and is suited for airsoft rifles that have the battery compartment located in the upper receiver.

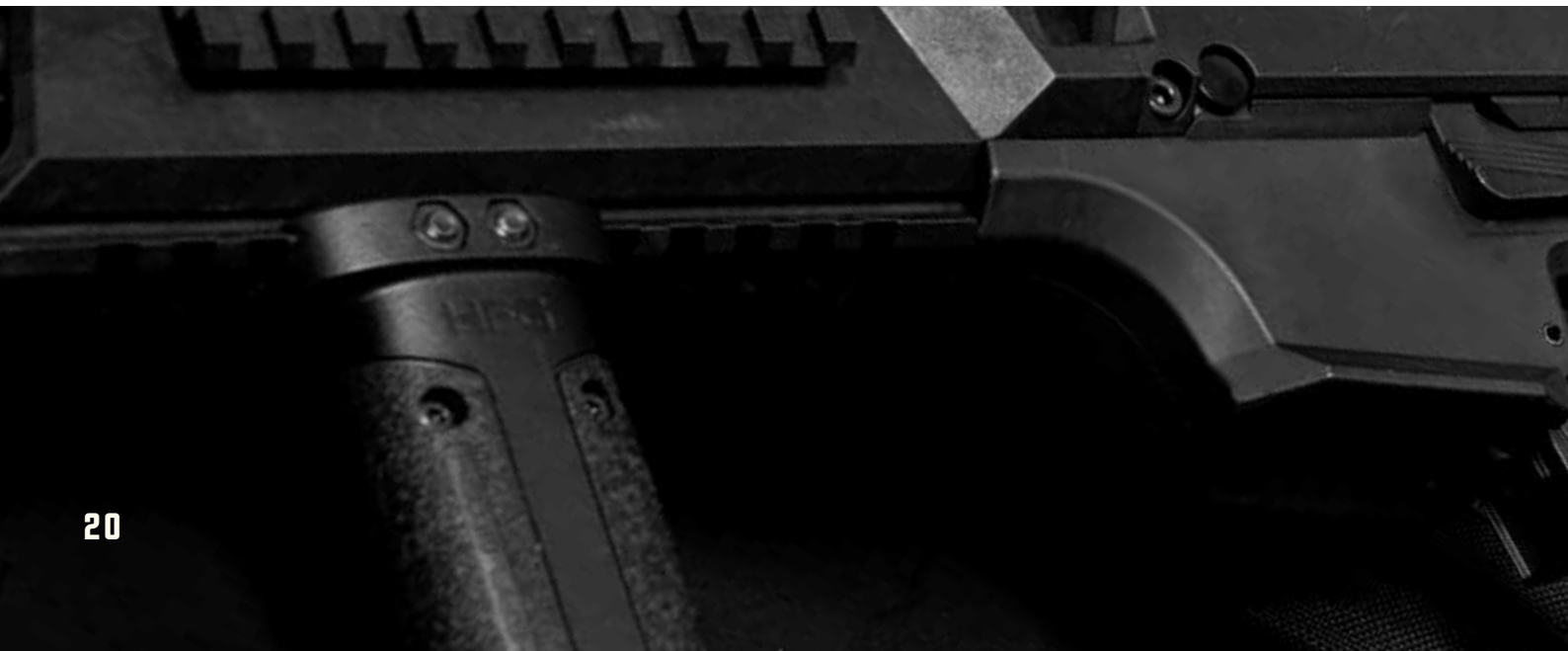
Ref. 18568



Battery, 11,1V, 900 mAh., LI-PO, single stick

Despite its small size it still packs 900mAh. Fits into most types of stock tubes and is suited for airsoft rifles that have the battery compartment located in the upper receiver.

Ref. 18569





ULTRAIR HPA tank, 1.1 liter, 68 ci

Affordable high-capacity carbon HPA tank. This high quality HPA system feature a tank with a lightweight steel core wrapped in carbon fibre. Resulting in a lightweight tank that can withstand extra high pressure and holds 1.1 litre of air. Fitted with regulator and pressure gauge. 1.1 litre, 68 ci, 4500 psi carbon, incl. regulator.
Ref. 18774



ULTRAIR HPA tank, 0.8 liter, 48 ci

Affordable all aluminium HPA tank. This high quality HPA system feature a lightweight all aluminium tank and regulator with pressure gauge. 0.8 litre, 48ci, 3000 psi, aluminium, incl. regulator.
Ref. 18775



Ultrair HPA tank, 0,2 liter, 13ci

Affordable all aluminium HPA tank. This compact high quality HPA system feature a lightweight all aluminium tank and regulator with pressure gauge. Ideal for a tight and manoeuvrable HPA set-up. 0.2 litre, 13ci, 3000 psi, aluminium, incl. regulator.
Ref. 18776



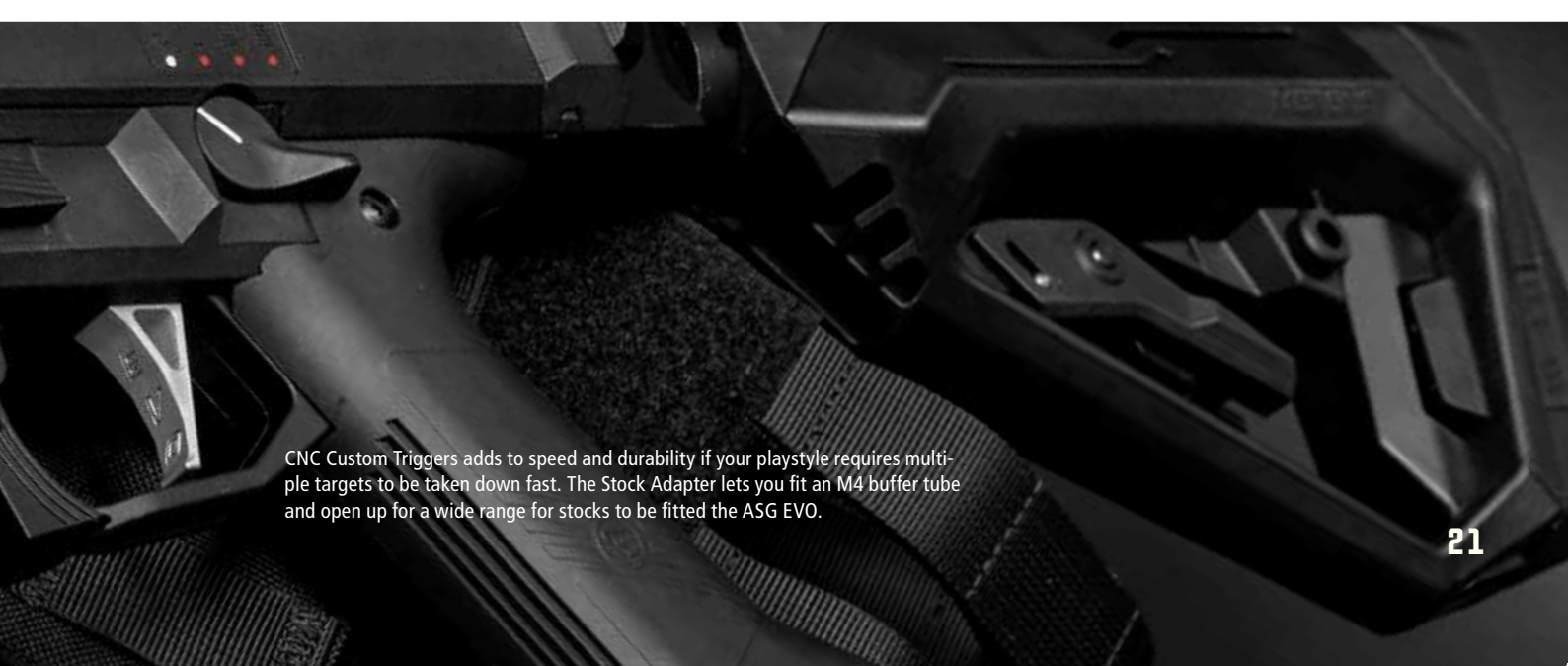
7,4V Battery 250 mAh 20C LI-PO

This LI-Po battery is made for HPA powered airsoft guns. Designed to be as small and compact as possible. It can easily be built into pistol grips or stocks, where it powers the HPA FCU. With a JST Discharge plug.
Ref. 18780



Hpa Regulator Incl. Airline

The Wolverine STORM OnTank is the first regulator designed specifically for airsoft. Despite its extremely low-profile and compact design, it still boasts ultra-fast recharge rates at both high and low pressure.
Ref. 18738



CNC Custom Triggers adds to speed and durability if your playstyle requires multiple targets to be taken down fast. The Stock Adapter lets you fit an M4 buffer tube and open up for a wide range for stocks to be fitted the ASG EVO.

Travel in style with our EVO bag. The nylon fitted travel bag with padded foam will accommodate your magazines, batteries, front grips and Blaster BBs. With the addition to the Carbine series we have also released a Carbine version bag. We've implemented the option to remove foam if optics are mounted to the EVO so your investment inside the bag is protected.

The bags have also been updated to house the HPA version of the EVO with room for the HPA nozzle.

The exterior offers pockets for storage of addition magazines, Bottles of Blaster BBs, HPA tanks and much more.



Tactical Carry Bag Carbine / B.E.T

Custom made for the EVO 3 Carbine + B.E.T version, this tactical carry bag is made from Cordura nylon, and features a main compartment with cut-out foam. The foam keeps the EVO tightly in place with extra space for any type of optical sights the user might wish to mount to the gun and the HPA valve. The exterior of the bag features three magazine pockets for a total of nine magazines, a long pocket that can hold a large BB bottle and two zippered admin pockets with Velcro attachment areas. The EVO 3 A1 logo is shown in stylish three colour embroidery. Recommended for 18694 / 18673.
Ref. 18897



Tactical Carry Bag EVO 3 A1

Custom made for the EVO 3 A1, this tactical carry bag features a main compartment with cut-out foam. The foam keeps the EVO 3 A1 tightly in place with extra space for any type of optical sights the player might wish to mount to the gun. The foam has been redesigned to accommodate optics and the HPA valve. The exterior of the bag features 3 magazine pockets for a total of 9 magazines, a long pocket that can hold a large BB bottle and a zippered admin pocket with velcro attachment area. The EVO 3 A1 logo is shown in stylish 3 color embroidery. Recommended for 17832 / 18671.
Ref. 17830



Rugged Field Case EVO 3 A1

Rugged field case for the EVO 3 A1. An extremely tough field case with four locking clamps, making it both water and dust tight. This lockable plastic field case, features cut-out foam inlays, that securely holds an EVO 3 A1 and up to six magazines along with a compartment for the battery pack. The user can customise the case to hold more equipment.
Ref. 17946



It's in the details

CNC machined outer barrel
Integrated standard size rails
Innovative construction
Super lightweight and compact design
Glass fiber reinforced polymer
Strong magazine
4-position fire selector with 3-shot burst
Secure motor attachment
CNC made flash hider and barrel nut
Easy velocity change
Industry-standard 8mm bushings
Removable folding stock
Reduced BB spill
Removable flash-hider
Precision inner barrel
LiPo born ECU
ULTIMATE motor
Optimal power transfer
New designed gearbox
Designed for strength
MIM steel gears
CNC processed gearbox
Quality wiring
Intelligent design solutions
Larger piston support surface
Upgradable with industry standard parts
ECU controlled gearbox
Crisp trigger response
Easy service and maintenance
Failure-detection
Battery monitoring
Moisture resistant
No fuse box
Realistic handling
Empty magazine detection
Functional bolt lock
Optimized mag-well
User friendly
Multiple sling mounts
Ambidextrous controls
Fast reloading
Ambidextrous charging handle
Easy adjustable hop-up



www.actionsportgames.com/evo3a1
#teamasg #actionsportgames #evo3a1 #evocarbine #evohpa
Follow us on Facebook: facebook.com/actionsportgames



ActionSportGames A/S
Bjergvangen 1
DK-3060 Espergaerde
Denmark

ActionSportGames® USA, Inc.
6144 Condor Drive
Moorpark, CA 93021
USA

actionsportgames.com

