

CZ SCORPION[®]
EVO CARBINE
MADE IN DENMARK



NEW CARBINES

Made in Denmark
by
ASG
ActionSportGames®

CZ

Licensed
6mm
Airsoft
guns

ProLine®

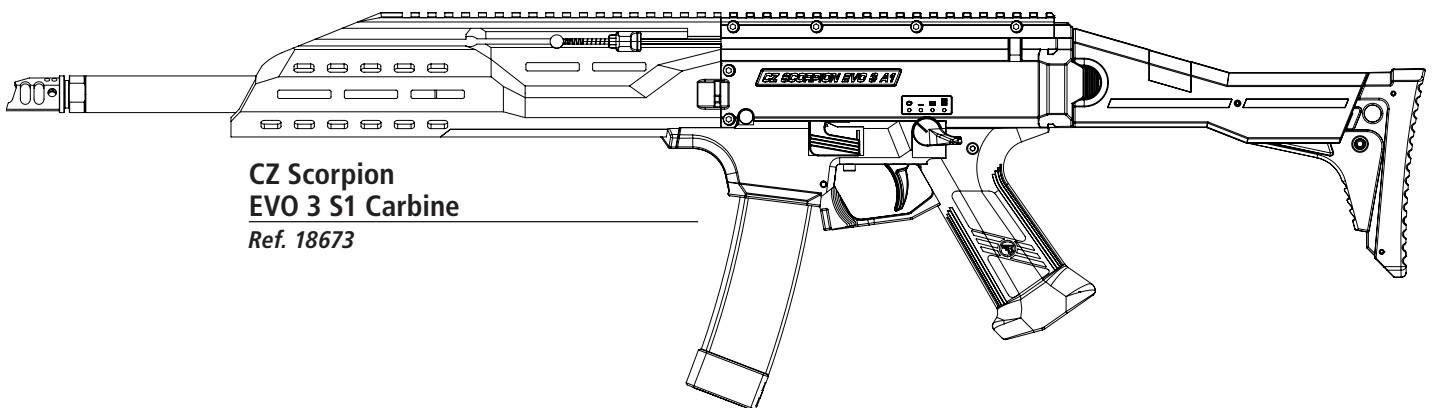
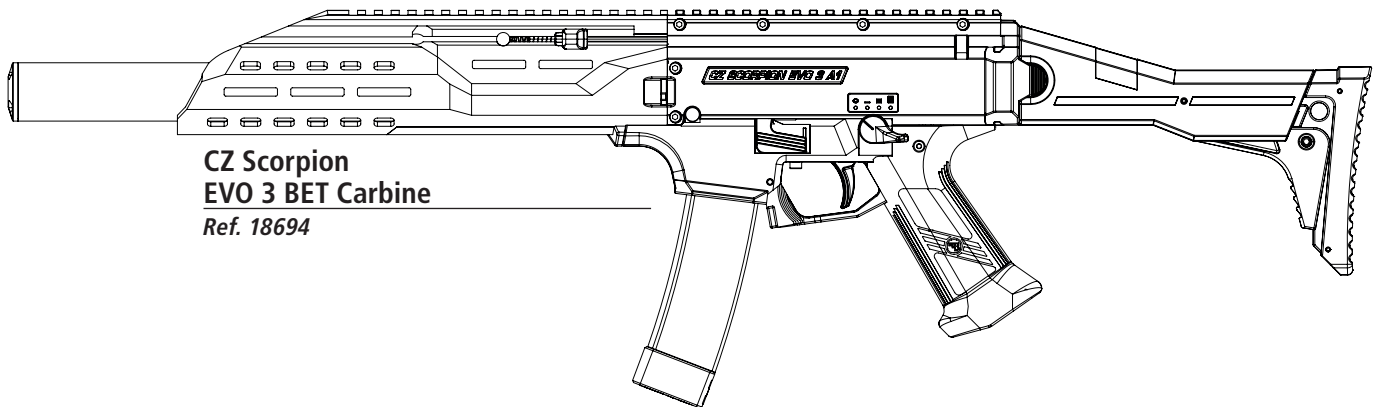
Available in two variants, the CZ Scorpion EVO 3 A1 Carbine from ActionSportGames A/S is a whole new player on the Airsoft field. Based on the successful CZ EVO 3 A1 platform, these carbine versions add new dimensions to the game, and improving the already impressive specifications of the succesfull and popular EVO.

The new front extends the EVO 23.2 cm (9.1") making it a full blown carbine and lifting the EVO out of the CQB field – with specifications to match.

A key feature of both carbine variants, is the newly designed forend, which features M-LOK attachment points on the bottom and both sides to keep the profile of the carbine slim. The carbines sport a Picatinny rail that runs along the top of the carbine – in full length.

Engage with us through our social media channels and tell us what you would like to see as a future accessory for the CZ Scorpion EVO series, so we can continue evolving and developing our products to meet your needs.

	Hop-up	Velocity ms/fps	Energy (joule)	Weight (g)	Length (mm)	Length folded (mm)	Barrel (mm)	Mag. capacity
EVO 3 A1 B.E.T. Carbine ref. 18694	Adjustable	135 (443)	1,8	2450	855	653	407	75
EVO 3 A1 Carbine ref. 18673	Adjustable	135 (443)	1,8	2450	855	653	407	75



www.actionsportgames.com

#teamasg #actionsportgames #evocarbine #evobetcarbine

Follow us on Facebook: facebook.com/actionsportgames

ASG
ActionSportGames®

ActionSportGames A/S
Bjergvangen 1
DK-3060 Espergaerde
Denmark

ActionSportGames® USA, Inc.
6144 Condor Drive
Moorpark, CA 93021
USA

